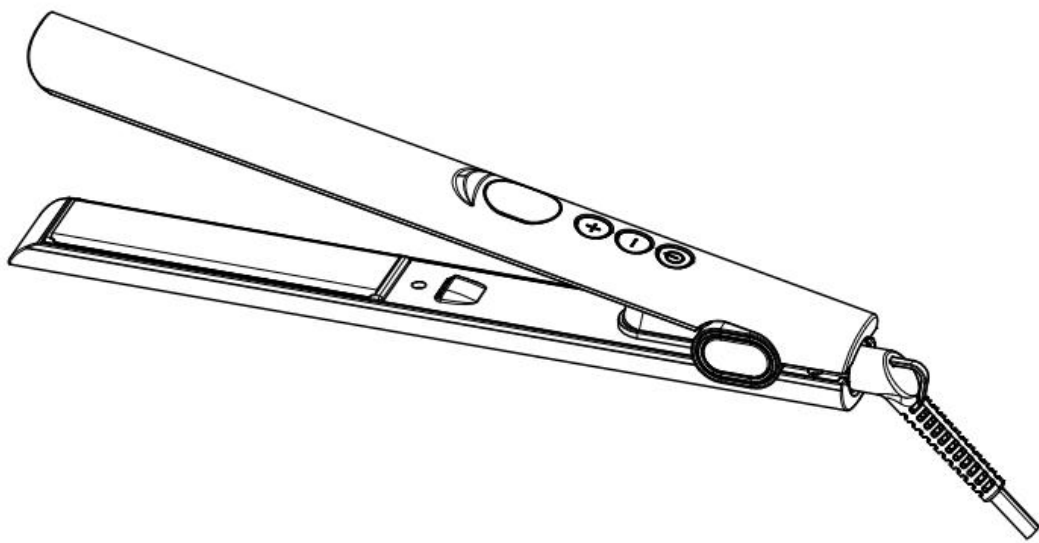


# everlux

## INSTRUCTION MANUAL

### Hair straightener

### MODEL NO.: BY-695I



**Please read before use and retain for future reference**

**FOR HOUSEHOLD AND INDOOR USE ONLY**



## IMPORTANT SAFETY INFORMATION

- Please read the instructions fully before using the appliance
- Do not use this appliance for any purpose other than its intended use.
- Use only the voltage specified on the rating plate of the appliance.

### **WARNING:**

- **This appliance can be used by children aged 8 years and above and persons with reduced physical, sensory, or mental capabilities or lack of experience and knowledge if they have been given supervision or instruction concerning use of the appliance in a safe way and understand the hazards involved. Children shall not play with the appliance. Cleaning and user maintenance shall not be made by children without supervision.**
- **Children should be supervised to ensure they do not play with the appliance.**
- For additional protection the installation of a residual current device (RCD) with a rated residual operating current not exceeding 30mA is advisable in the electrical circuit supplying the bathroom. Ask an electrician for advice.
- ALWAYS unplug this appliance immediately after use.
- DO NOT USE THIS APPLIANCE NEAR BATH TUBS, SHOWERS, BASINS OR OTHER VESSELS CONTAINING WATER
- ALWAYS ensure your hands are dry before using the appliance, touching the plug or the socket.
- Do not use while bathing

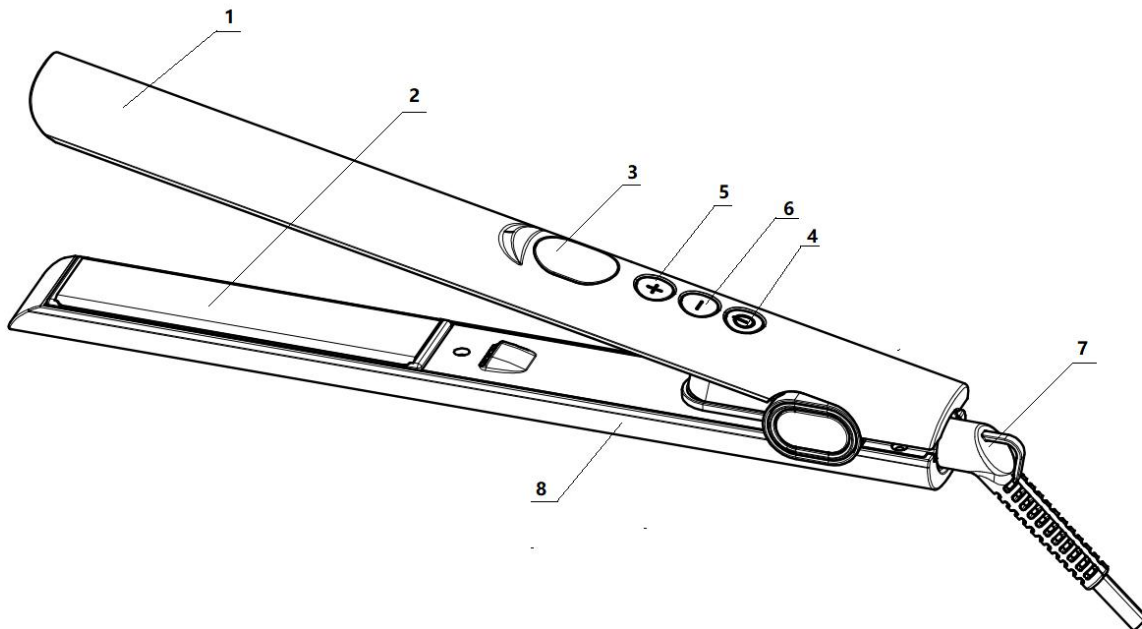
### **WARNING: THE HAIR STRAIGHTENER BECOMES VERY HOT DURING USE**

- To prevent burns or injury, do not allow the face, neck, or scalp to come into contact with the unit's hot surfaces while using the appliance.
- Always place the unit on a flat, stable, and heat-resistant surface when not in use. Do not place the appliance on any soft furnishings.
- Never leave the appliance unattended while it is switched on or cooling down.
- ALWAYS check the appliance before each use for signs of wear or damage. If damaged, discontinue from use immediately and do not use until the appliance has been inspected and approved for use by a qualified service person.
- Keep the appliance and cable away from heat, sharp objects or anything that may cause damage. Do not pull, twist, or kink the cord.
- The product is not to be used if it has been dropped or there are visible signs of damage.
- DO NOT use the hair straightener on artificial hair, wigs or pet hair
- If the supply cord is damaged, it must be replaced by the manufacturer, its

service agent, or a similarly qualified persons in order to avoid hazard.

- Never attempt repairs yourself. Repairs to electrical appliances should only be performed by a qualified electrician. Improper repairs may place the user at serious risk and will invalidate the guarantee, take the appliance to a qualified repair agent.
- This appliance must be positioned so that the plug is accessible, and the plug socket is within easy reach of the power cord

## Parts



1. Outer housing
2. Heating plate
3. Digital display
4. ON/OFF and temperature Button
5. Temperature up (+) button
6. Temperature down (-) button
7. Power cord
8. Hinge Lock

## How to use your hair straightener

- Always ensure your hair is completely dry before using the hair straightener to prevent heat damage and ensure effective styling. Brush or comb your hair thoroughly to remove knots and tangles before straightening.
- Always ensure that your hands are dry before plugging the appliance into the mains supply.
- **Hinge Lock:** slide the hinge lock toward the unlock symbol to release the mechanism and open the straightener plates
- When the hair straightener is plugged in, it enters standby mode. The digital display will show 'OFF' to indicate that the device is powered but not yet active.
- Press and hold the switch ON/OFF button (4) for 2 seconds to activate the hair straightener.
- Using the temperature (+) and (-) buttons select the temperature between 150 and 210°C.
- The temperature display will flash until the set temperature is reached.

**IMPORTANT:** This model includes a temperature lock function that automatically activates 5 seconds after a temperature is selected. When active, a padlock icon will appear next to the temperature display. To deactivate the temperature lock, press the (–) button twice.

- For optimal performance, it is recommended to straighten hair in sections approximately 3–5 cm (1–2 inches) wide and no more than 1 cm (0.4 inches) thick.
- Press and hold the ON/OFF button (4) for 2S to turn the product off. The digital display will show 'OFF' to indicate the standby mode. Disconnect the appliance from the mains supply.

**NOTE:** The hair straightener will automatically switch off after 30 minutes of inactivity for safety and energy efficiency.

In the event of a system malfunction or abnormal operation, the digital display will show '888' as an error prompt. Switch off the appliance and contact customer service. Do not attempt to repair the appliance yourself.

**WARNING:** This hair straightener is a high-temperature electrical appliance. Do not touch the heating plates during or immediately after use, as contact may result in burns or injury.

## Care and Maintenance

- Always ensure the straightener is switched off, unplugged from the mains supply, and completely cooled before cleaning
- Gently wipe the plates with soft, damp cloth, followed by a dry cloth. Avoid using abrasive materials, as they may scratch the surface.
- Clean the outer housing with a dry or slightly damp cloth. Take care not to let any liquid enter the device.

## Storage

- Always unplug the hair straightener immediately after use and allow it to cool before storing.
- Store the hair straightener in a safe, dry location, away from direct sunlight and out of reach of children.
- Gently close the plates together and slide the hinge lock into place to keep the straightener securely closed. This helps protect the plates and makes storage more compact.
- Do not wrap the power cord around the appliance.

## Technical Specifications

<b>Everlux Hair Straightener</b>	
Model Number	BY-695I
Power Rating	110-240V~ 50-60Hz 52W
Dimensions	332.5×31mm×37.5mm
Weight	385g



## Recycling electrical products



You should now recycle your waste electrical goods and in doing so help the environment. This symbol means an electrical product should not be disposed of with normal household waste. Please ensure it is taken to a suitable facility for disposal. Visit [www.recycle-more.co.uk](http://www.recycle-more.co.uk), click on “bank locator” and enter your postcode to find your nearest recycling site.

Should you require any help call

Argos Customer Helpline: 0345 604 0105

[argos.co.uk/help/contact-us](http://argos.co.uk/help/contact-us)

Produced in China for

Argos Limited, London, EC1M 6HA, UK.

Argos (N.I.) Ltd, Forestside Shopping Centre,

Upper Galwally, Belfast, BT8 6FX, UK.

## Guarantee

This product is selected for DOMESTIC USE ONLY and not for business use.

This product is guaranteed against manufacturing defects for a period of 24 months. This does not cover the product where the fault is due to misuse, abuse, use in contravention of the instructions, or where the product has been the subject of unauthorised modifications or alterations, or has been the subject of commercial use. In the event of a problem with the product within the guarantee period please return it to your nearest store. If the item is shown to have an inherent defect present at the time of sale, the store will provide you with a replacement. Your statutory rights remain unaffected.

Issue, 08/2025